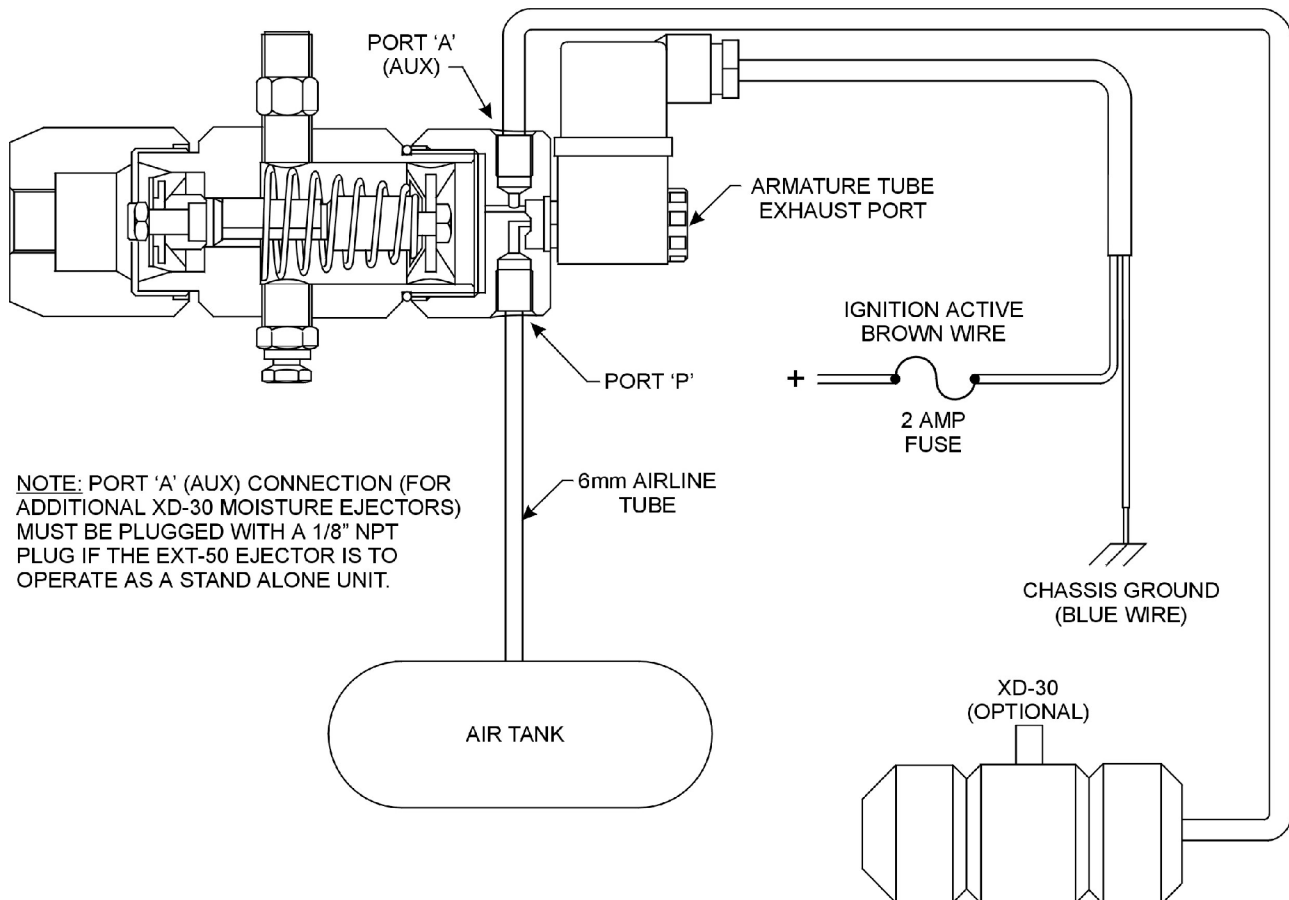




GENERAL
PNEUMATICS

www.generalpneumatics.com.au

DumpMaster Drain Valve EXT-50-12/24V Installation



1. Connect a **constant** supply of air pressure to the **"P" Port** of the DumpMaster Drain Valve. (If pressure for the "P" Port is to be taken of the same tank that the drain valve is draining, a non-return valve must be fitted to the tank and constant supply airline.
2. Connect the **Brown** wire (+) to **Ignition** power only.
3. Connect the Blue wire (-) to the chassis.
4. **NOTE!** The valve will actuate every six minutes when **ignition** power is on & the **engine** running.

27 Hinkler Road, Mordialloc, Victoria 3195
Phone 61 3 9580 1811 Fax 61 3 9580 1822
E-mail genpneu@bigpond.com