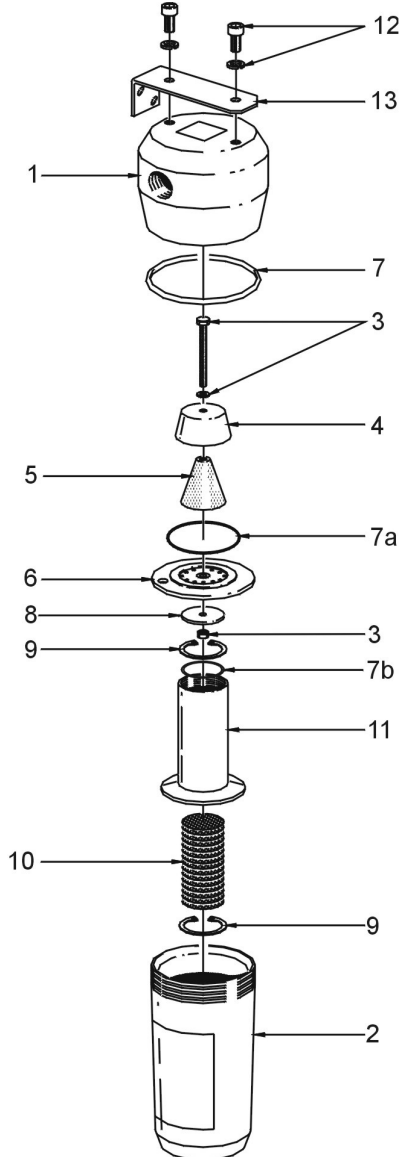




1.1. Series 500 TruckMaster® Filter Spare Parts and Service Kit



TruckMaster® Filter Service Kit 505		
Item No	Qty	Description
3	1	M5 Screw Set
5	1	Bronze Pre-Filter
7	1	Cap O-Ring
7a	1	Expansion Manifold O-Ring
7b	1	Coalescing Tube O-Ring
9	2	Circ Clips
10	7	Stainless Steel Mesh Set

Figure 1 TruckMaster®Filter Assembly

Item No	Part Number	Qty	Description	Item No.	Part No	Qty	Description
1	XT-500-01	1	Head (Top Chamber)	7b	XT-500-07B	1	Coalescing Tube O-Ring
2	XT-500-02		Bowl	8	XT-500-08	1	Impaction Disc
3	XT-500-03	1	M5 S.S. Screw/Nut/Washer	9	XT-500-09	2	Circ Clips
4	XT-500-04	1	Pre-Filter Guard	10	XT-500-11	7	S.S. Meshes Set
5	XT-500-05	1	Bronze Pre-Filter	11	XT-500-12	1	Coalescing Tube
6	XT-500-06	1	Expansion Manifold	12	XT-500-14	2	M8 S.S. Screws
7	XT-500-07	1	Cap O-Ring	13	XT-500-13	1	Mounting Bracket
7a	XT-500-07A	1	Expansion Manifold O-Ring				

